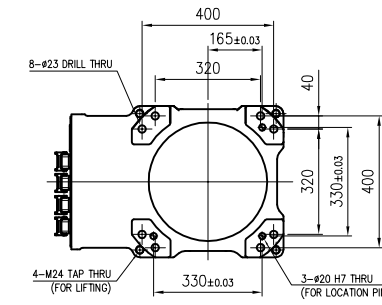
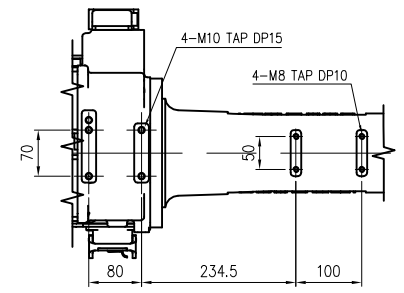


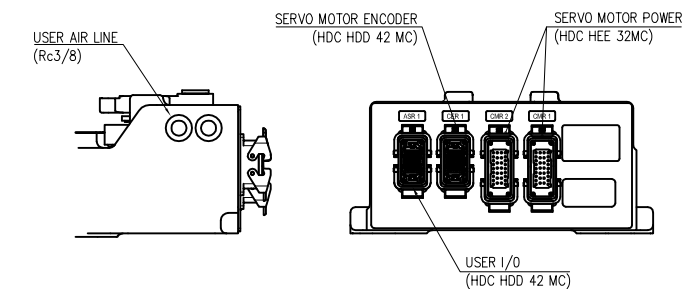
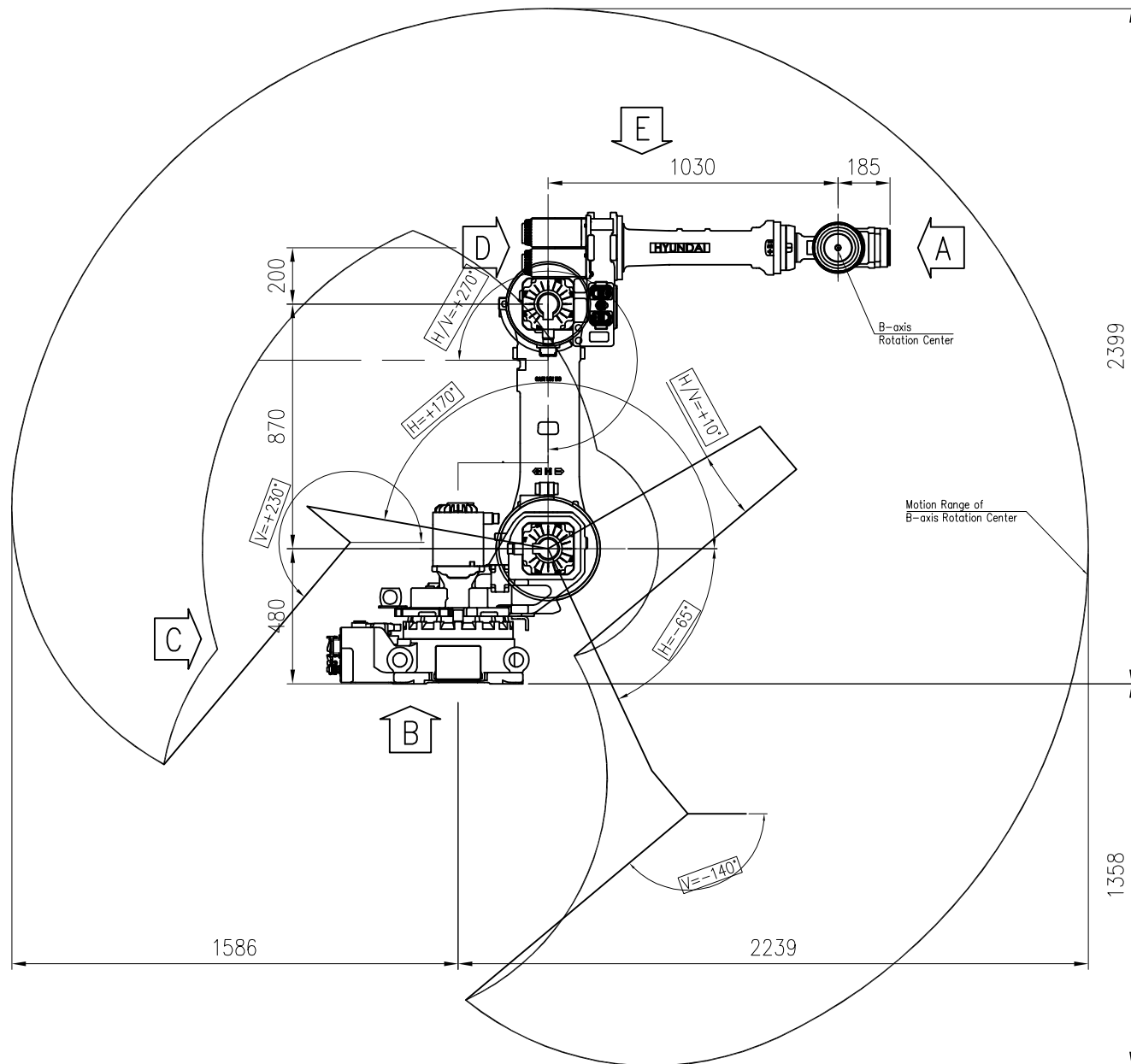
VIEW "A"  
(SCALE : 4/1)



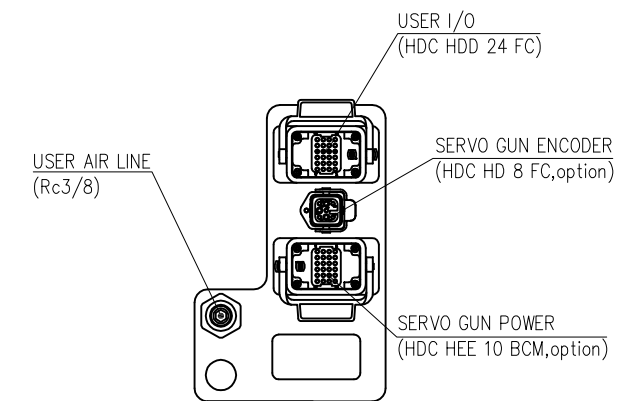
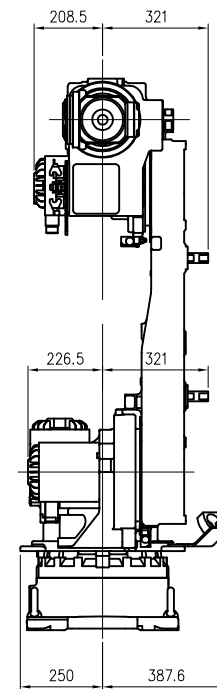
VIEW "B"



VIEW "E"  
(SCALE : 2/1)



VIEW "C"  
(SCALE 2/1)



VIEW "D"  
(SCALE : 4/1)

TECHNICAL SPECIFICATION SUBJECT TO  
CHANGE WITHOUT NOTICE

MODEL	HH050	issue.0
DATE	2018.06.19	

