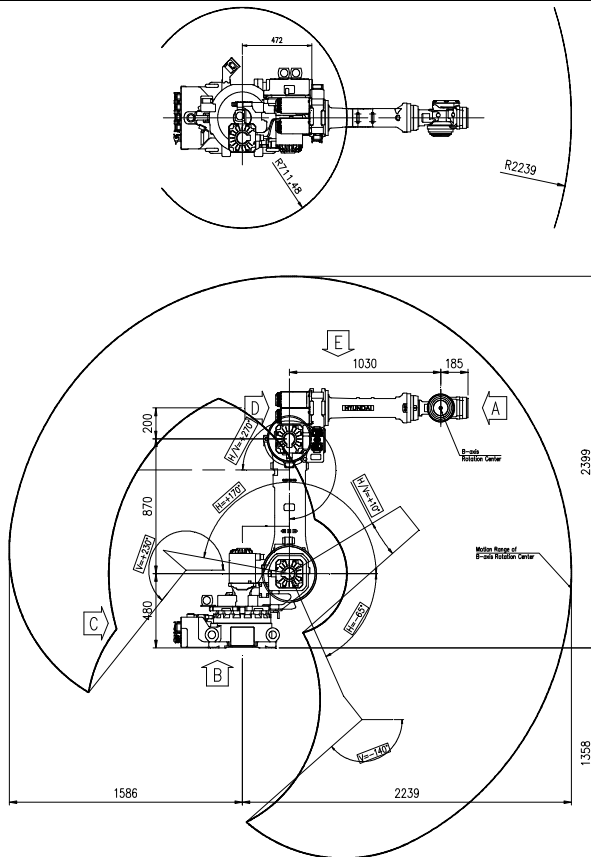


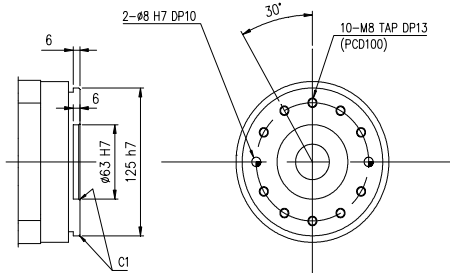
HH050

Payload 50Kgf

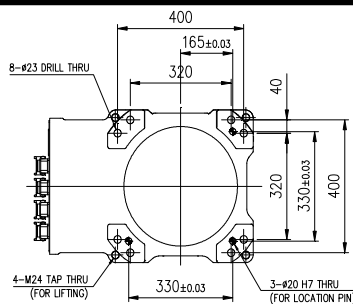
Installation method		Application	
Floor	●	Spot welding	
Ceiling		Arc welding	
Wall surface		Handling	●
		Assembly	●
		Sealing	●
		Painting	



View A: Detailed drawing of the wrist attachment part



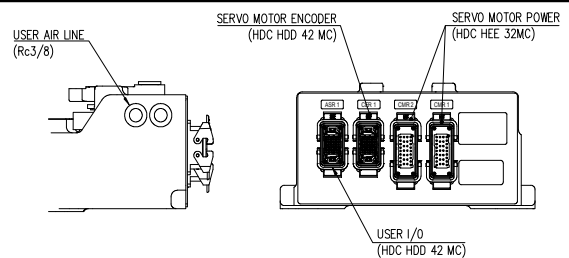
View B: Dimensional drawing for the floor installation of the body



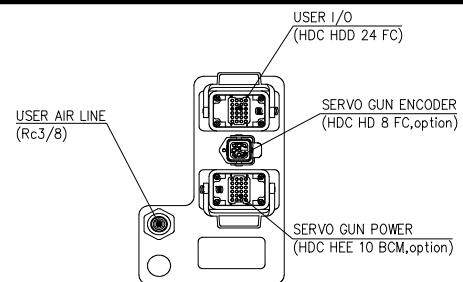
Wrist-axis torque line diagram

Item		Specification	
Robot model		HH050	
Payload		50 Kg	
Structure		Articulated	
Degree of freedom		6 axes	
Max. working envelope	Arm	S Swivel	$\pm 3.142 \text{ rad } (\pm 180^\circ)$
		H Horizontal	$-1.134 \sim +2.967 \text{ rad } (-65^\circ \sim +170^\circ)$
		V Vertical	$-1.396 \sim +3.141 \text{ rad } (-80^\circ \sim +180^\circ)$
	Wrist	R2 Rotation 2	$\pm 6.283 \text{ rad } (\pm 360^\circ)$
		B Bending	$\pm 2.182 \text{ rad } (\pm 125^\circ)$
Max. working speed	Arm	S Swivel	$3.054 \text{ rad / s } (175 / \text{s})$
		H Horizontal	$3.054 \text{ rad / s } (175 / \text{s})$
		V Vertical	$3.054 \text{ rad / s } (175 / \text{s})$
	Wrist	R2 Rotation 2	$4.363 \text{ rad / s } (250^\circ / \text{s})$
		B Bending	$4.363 \text{ rad / s } (250^\circ / \text{s})$
Wrist torque	R2 Rotation 2	216 Nm (22.0 Kgfm)	
	B Bending	216 Nm (22.0 Kgfm)	
	R1 Rotation 1	147 Nm (15.0 Kgfm)	
Accuracy of position repeatability		$\pm 0.1 \text{ mm}$	
Ambient Temperature		$0 \sim 45^\circ \text{C } (273 \sim 318 \text{ K})$	
Robot's Weight		645 Kg	

View C: Application cable connection part



View D: Application cable connection part



View E: Details of the application ancillary part attachment

** For product improvement, some of the ratings, specifications, dimensions, etc. are subject to changes without notice.