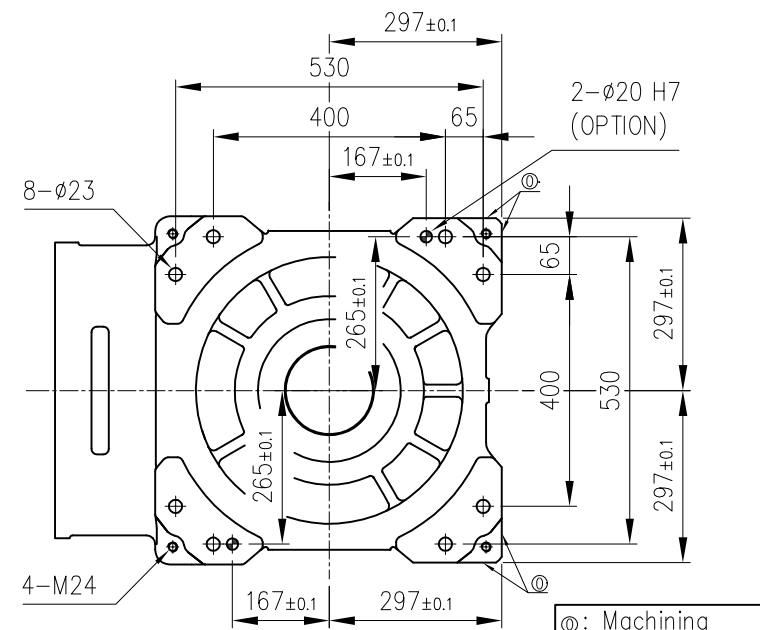
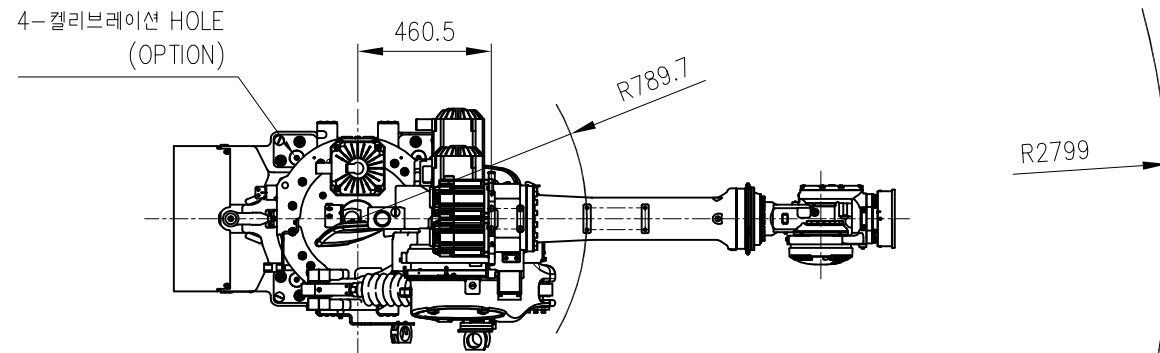
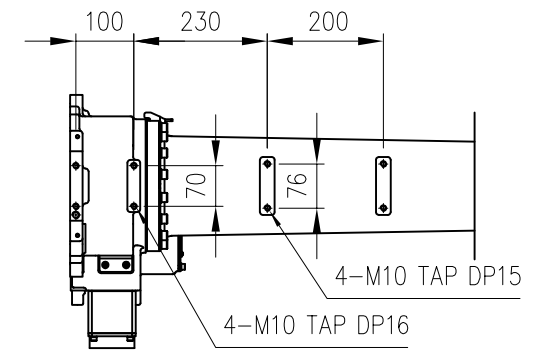


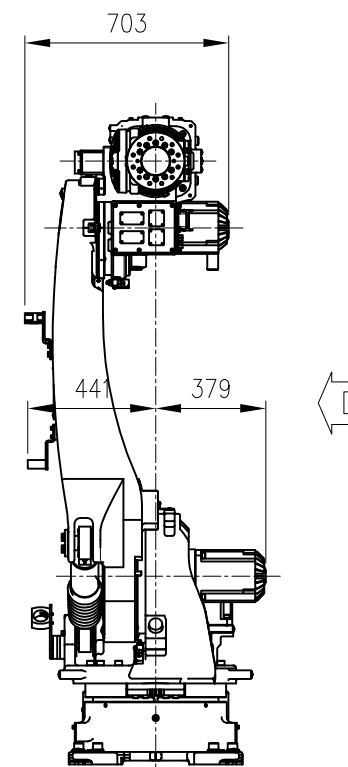
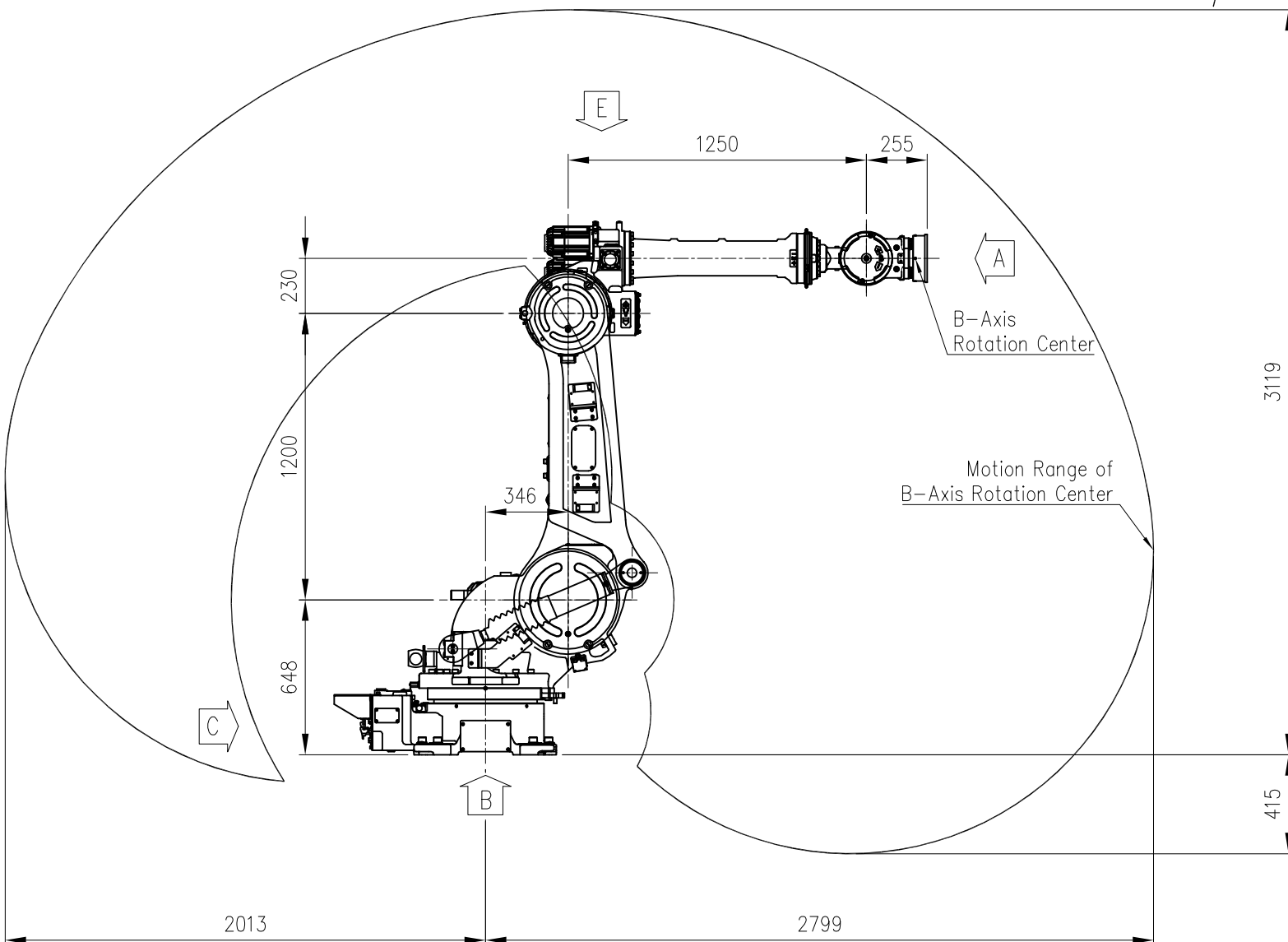
VIEW "A"
(SCALE : 2/1)



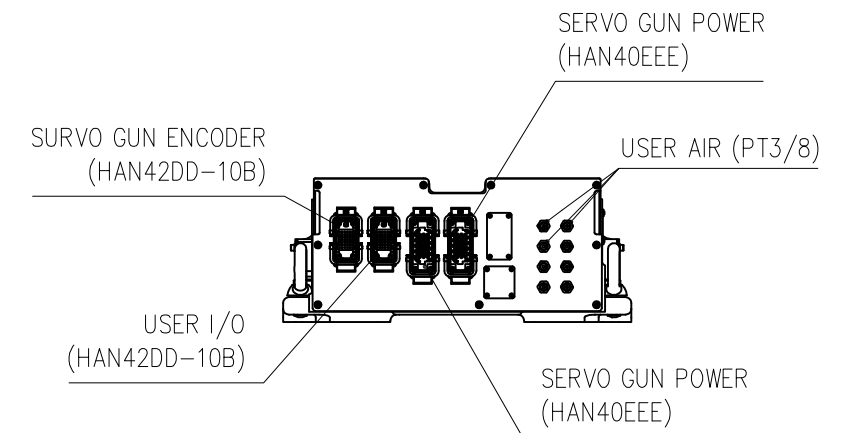
VIEW "B"
(SCALE : 2/1)



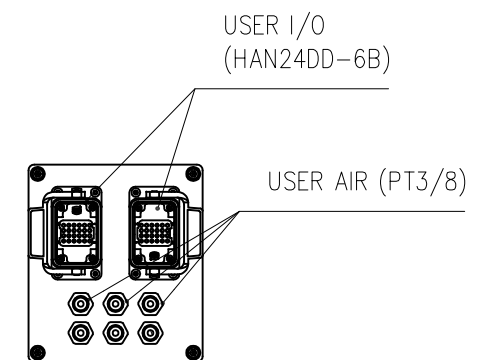
VIEW "E"
(SCALE : 2/1)



VIEW "D"
(SCALE : 4/1)



VIEW "C"
(SCALE : 2/1)



VIEW "D"
(SCALE : 4/1)

MODEL	HC200	issue.1
DATE	2015.12.09	

TECHNICAL SPECIFICATION SUBJECT TO CHANGE WITHOUT NOTICE