

A

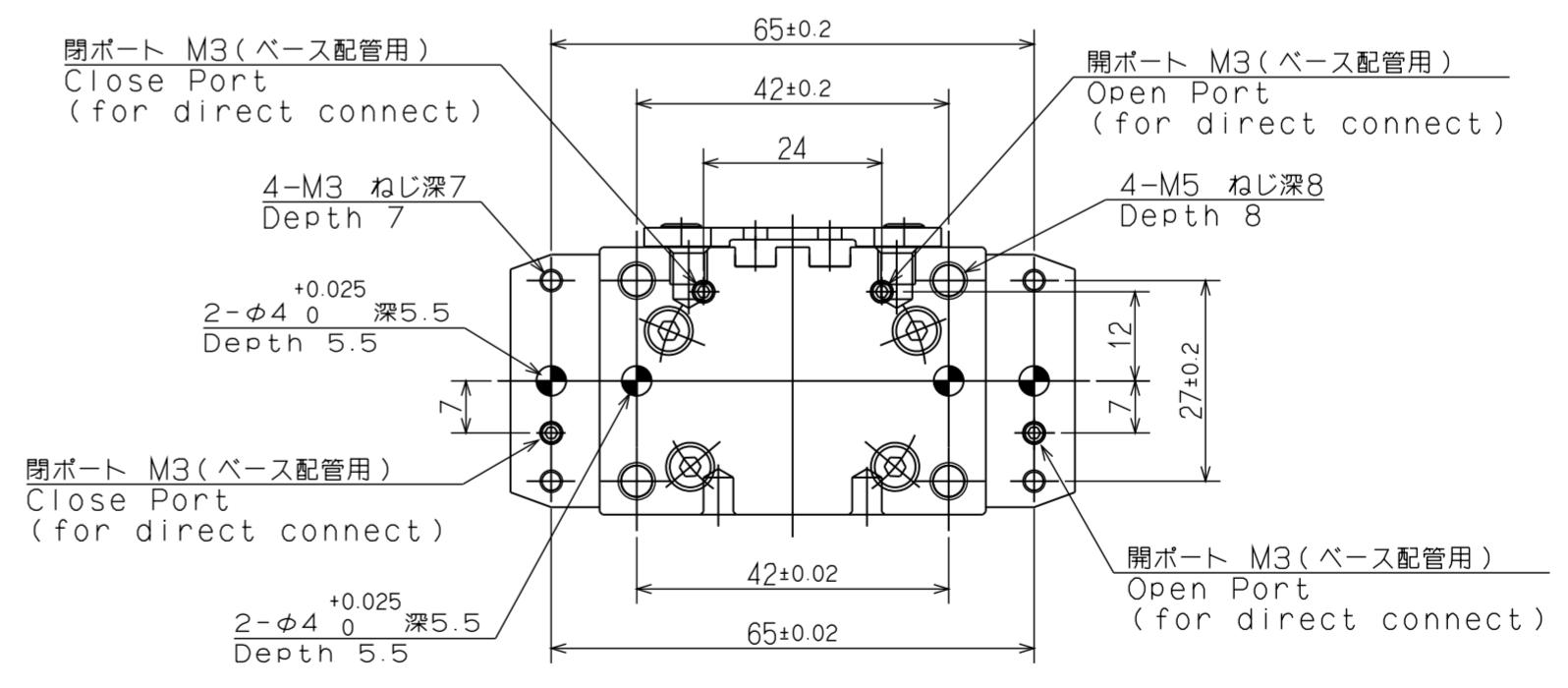
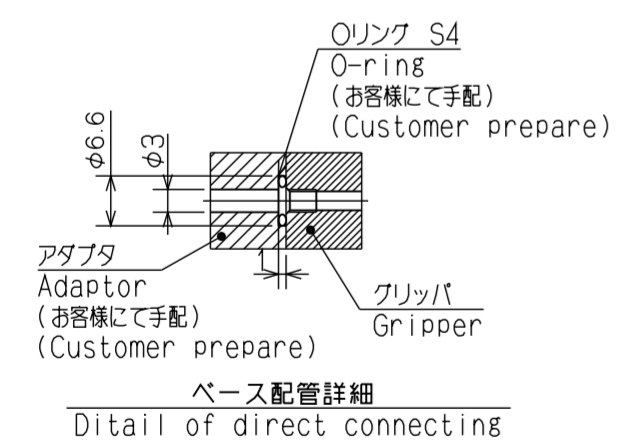
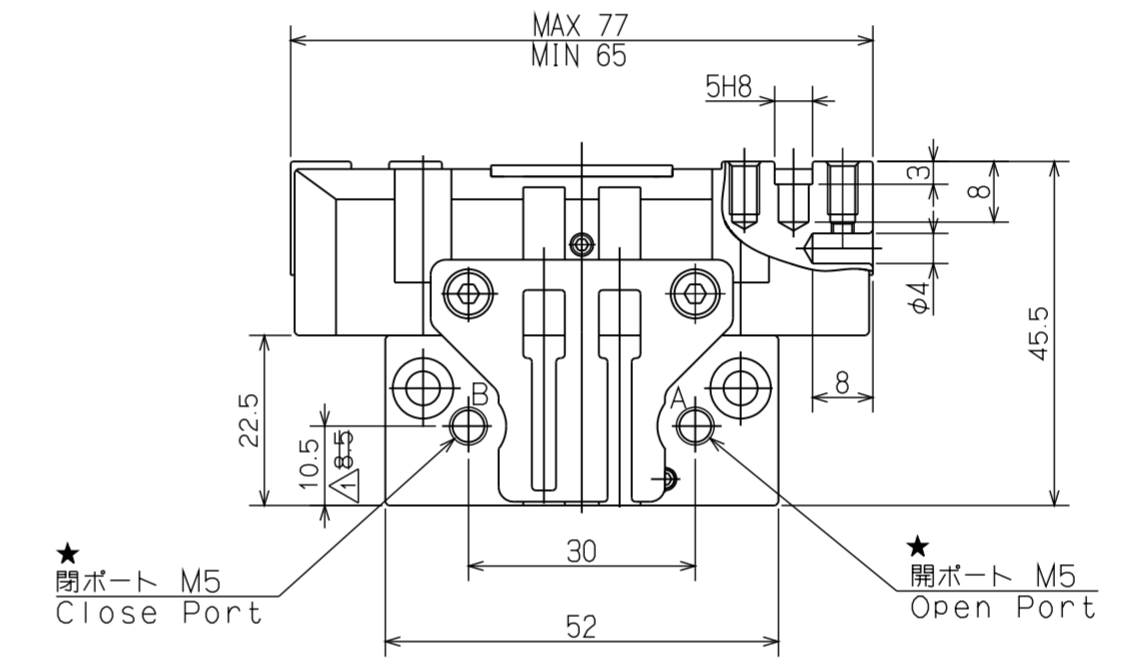
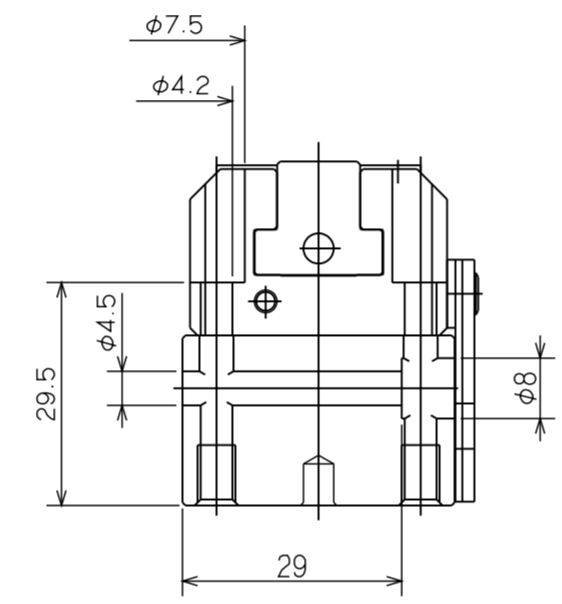
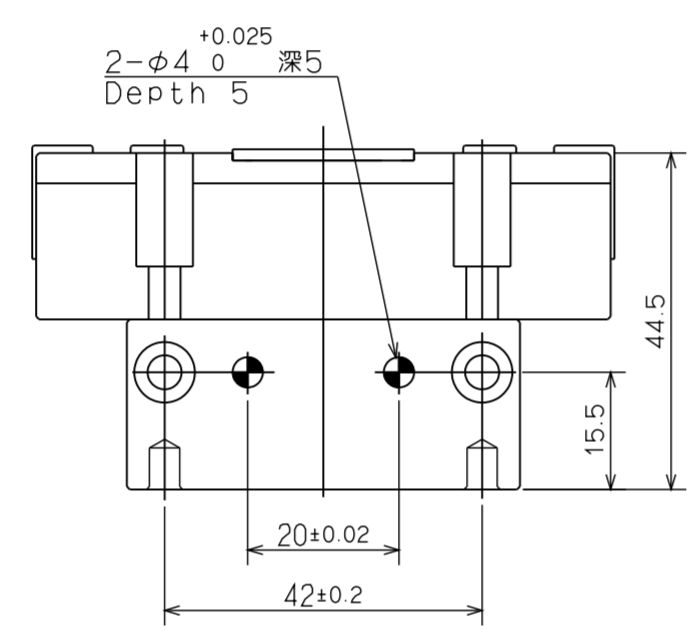
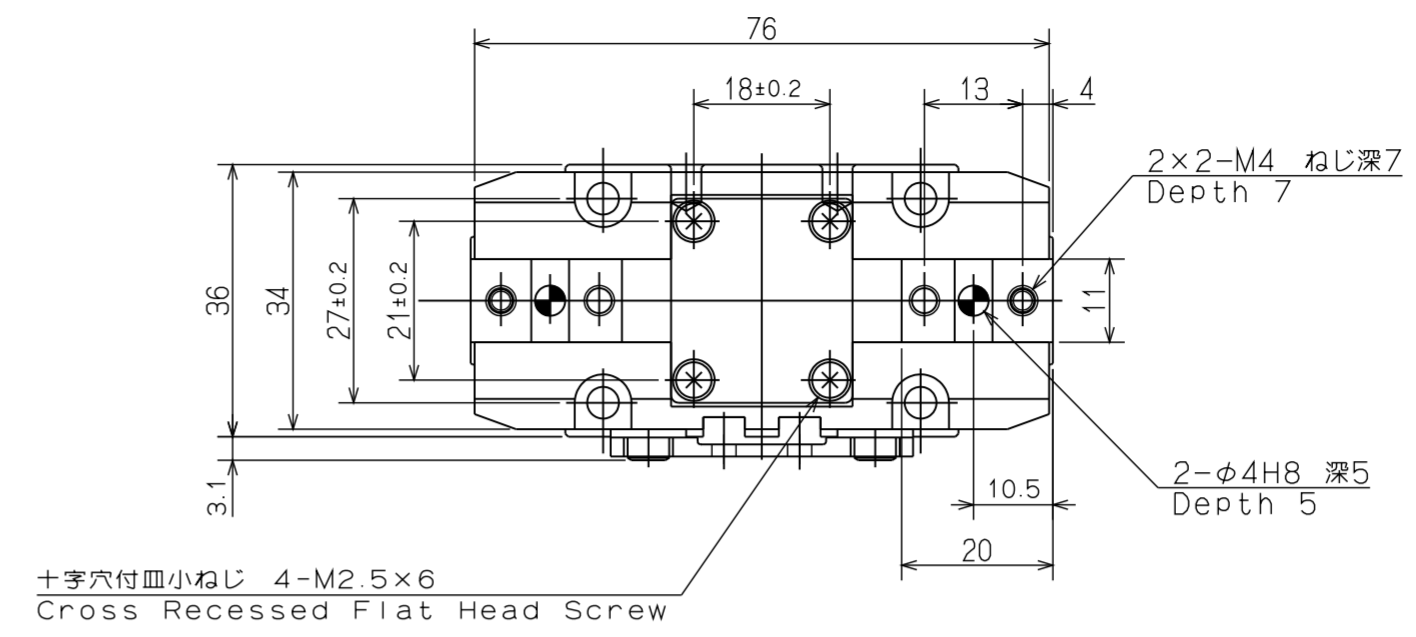
B

C

D

E

F



CAREER		SCALE	TYPE	NTS206	WEIGHT	kg
MANAGER	CHIEF	DRAWN BY	1:1	グリップ GRIPPER		
			3RD ANGLE	NAME NTS206 ガイキ NTS206 OUTSIDE VIEW		
KITAGAWA IRON WORKS CO.,LTD.		DATE	DRW NO.	61G	28	7764
						3